

transPAC



For minute by minute control during controlled transport ventilation

transPAC ventilators are specifically designed for use inside and outside hospitals by paramedics and other qualified personnel in all situations of respiratory distress. They are suitable for ventilation during transportation of adults, children and infants. Features include CMV*/Demand (SMMV**), air mix, integrated pressure monitoring/alarm system and a separate minute volume control, providing for a wide range of treatment options.

transPAC ventilators are available in MRI Compatible format.

Allowing professionals to take control

*CMV Demand = Continuous Mandatory Ventilation

**SMMV = Synchronized Minimum Mandatory Ventilation

Technical Data

Principle of Operation: Flow generator, time cycled, volume preset, pressure limited

Power Source for Ventilation: Dry, oil free, filtered gas: 305 - 600 kPa at 55L/min

Models: suitable for adults, children and infants down to 5kg

Minute Volume: 20 - 2 L/min

Frequency: 8 - 40 b/min (12b/min at click stop)

Flow Range: 5.2 - 52 L/min

I:E Ratio (fixed): 1:1.6 (nominal)

Inspiratory Time: 0.6 - 1.6 seconds

Gas Consumption:

'No Air Mix': V_{DEL} plus 20ml/cycle

'Air Mix': 30% V_{DEL} plus 20ml/cycle

Air Mix: 100% or 45% O₂

Pressure Relief with Audible Alarm: 20 - 80 x100Pa (20 - 80cmH₂O)

Alarm System (models T200 & T200D only): Visual and audible alarms for high pressure, continuous pressure, low pressure/disconnect, low gas supply pressure and low battery

Battery for Powering Alarm System: Single cell 3V Lithium, size 123A (camera battery) or size AA, 3.6V Lithium supplied by Pneupac and suitable for MRI use

MRI Compatibility (standard on Models T200 & T200D): Testing has confirmed compatibility in a 3Tesla actively shielded magnet with a max gradient of 430G/cm and RF of 0.82 W/kg at 125.5MHz.

Patient Outlet Connection: EN1281-1 (ISO5356)

Patient Circuit: 1.2m long, 22mm single bore polyester hose with autoclavable patient valve. Alternative specification: silicone, heavy duty, autoclavable hose.

Input Hose: As standard 1.5 m long, 6mm bore with probe to BS5682 (oxygen). Alternative specifications available.

Dimensions: 92H x 220W x 162D mm

Weight:

Model T20: 2.5kg

Model T20D: 3.0kg

Model T200 2.7kg

Model T200D 3.1kg

Demand Flow (models T20D & T200D only):

Commences at -2 x100Pa (-2cmH₂O), 100L/min at -8 x100Pa (-8cmH₂O), max > 120L/min. Delivers 100% supply gas with either Air Mix or No Air Mix selected.

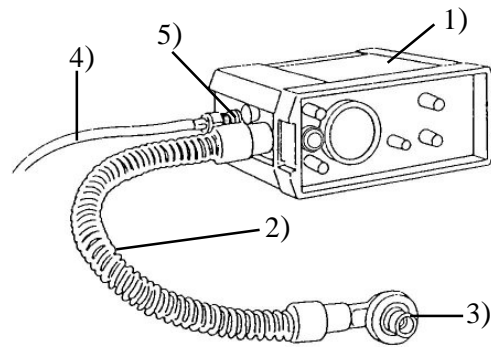
Expiratory Pressure Indication: If monitoring of expiratory pressure (eg PEEP) is also required, a monitoring point at the patient connection port can be provided, at time of manufacture, connected to the ventilator by means of an external monitoring line.

Add-on PEEP Facility (optional): 0 - 20 x100Pa (0 - 20cmH₂O)

Standards: Satisfies all the stringent demands of the latest standard for emergency and transport ventilators, EN 794-3, 1999 (Drop and water resistant tested). CE marked.

Standard Configuration

1. Ventilator Control Module
 2. Patient Hose (1.2m long, Polyester)
 3. Patient Valve (Autoclavable)
 4. Input Hose with O₂ Probe
 5. Machine Connection
 6. Battery (with T200 & T200D models)
- + User Manual and Label Set



For input hose, probe and machine connection see country standards below.

O ₂ Probes, 6mm Bore		Connectors		Colour		Length (Max 15 metres)	
Country	Description	Suffix	Description	Suffix	Description	Suffix	
UK	BS5682	1	G1/4	A	White	A	1.5
USA	DISS	2	DISS	B	Green	B	1.5
France	CFPO	3	CFPO	C	White	A	1.5
Sweden	AGA	4	G1/4	A	White Anti-static	D	1.5
Germany	DIN	5	DIN	E	Blue	E	1.5
USA/Ohio	OHIO	7			Blue Anti-static	F	1.5

Ordering Information*

transPAC Models	Order No
Model T20 - transPAC with Air Mix	T20/CE
Model T20D - transPAC with Air Mix and CMV/Demand (SMM)	T20D/CE
Model T200 - transPAC with Air Mix and built-in Alarms (MRI Compatible)	T200/CE
Model T200D - transPAC with Air Mix, CMV/Demand (SMMV), and built-in Alarms (MRI Compatible)	T200D/CE

Ordering Example: T20D/CE/1AA5

- = **1)** transPAC ventilator with Air Mix and CMV/Demand (T20D/CE)
- + **2)** UK standard input hose with BS5682 Probe (suffix 1), G1/4 Connector (A), colour white (A), 5m long (5)

rescuPAC, paraPAC, transPAC, ventiPAC

Alternatives to Standard Configuration

Add-on PEEP Facility

Suffix

Exhaust Pressure Indicator - Modified for gauge to show PEEP during exhalation with extra monitoring line and special patient valve

EP

Note not available on rescuPAC ventilators

Note with this option PEEP Valve (W1433) and Exhaust Collector (W1434) will also be required - see accessories & spares for ordering information

Input Hose O2 Probes, 6mm bore

Suffix

BS5682

1

DISS

2

CFPO

3

AGA

4

DIN

5

Open End

6

OHIO

7

Input Hose Connectors

Suffix

G1/4

A

DISS

B

CFPO

C

DIN

E

Input Hose Colour

Suffix

White

A

Green

B

White Anti-Static

D

Blue

E

Blue Anti-Static

F

Input Hose Length

Suffix

1.5 metres, up to 15 metres maximum

/Length

Patient Hose

Suffix

Silicone (Heavy Duty) Patient Hose (1.2m)

OH

rescuPAC, paraPAC, transPAC, ventiPAC

Alternatives to Standard Configuration Continue

Ordering Example: T20D/CE/1BE2

- = 1) transPAC ventilator with Air Mix and CMV/
Demand (T20D/CE)
- + 2) Input hose with BS5682 Probe (Suffix 1), DISS
Connector (B), colour blue (E), 2m long (2)